

## HDAB Series Multilayer Ferrite Chip Beads / Chip Ferrite Beads

### Features

- Monolithic construction ensures high reliability;
- Enables compact inductor design;
- Magnetic shielding eliminates cross-coupling;
- Non-directional design for easy mounting;
- Excellent solderability and thermal resistance, suitable for reflow and wave soldering.

### Applications

Widely use in Communications, Video and Audio, Computer, Remote control, etc.

### Environmental Data

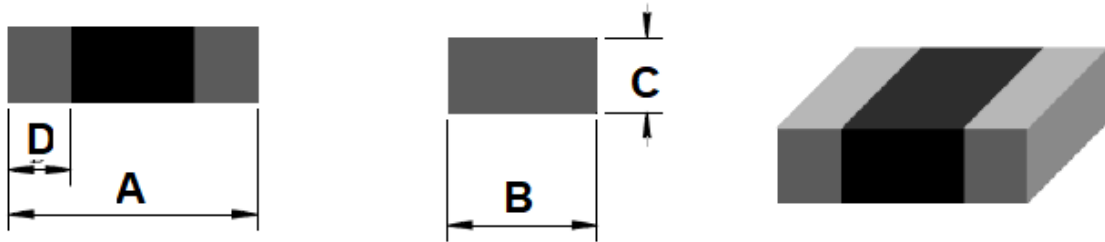
Operating Temperature: -40 °C ~ +85 °C (Including coils self-temperature rise)

### How To Order

**HDAB 160808 M 601 I - LF**

①                      ②                      ③                      ④                      ⑤                      ⑥

- ① Series: HDAB
- ② Dimensions
- ③ Tolerance: (M: +/-25% )
- ④ Packag Style: (T:Tape & Reel)
- ⑤ Rated Current: (1R5:1500mA, 2R0:2000mA )
- ⑥ Lead Free

**Size and Dimensions (Dimensions are in mm) :**


TYPE	A	B	C	D
060303	0.6±0.05	0.3±0.05	0.3±0.05	0.12±0.05
100505	1.0±0.15	0.5±0.15	0.5±0.15	0.25±0.1
160808	1.6±0.15	0.8±0.15	0.8±0.15	0.3±0.2
201209	2.0(+0.3/-0.1)	1.25±0.2	0.85±0.2	0.5±0.3
321609	3.2±0.2	1.6±0.2	0.85±0.2	0.5±0.3

Part No.	Impedance (Ω) at 100MHz	DCR (Ω) Max.	Rated Current (mA) Max.
HDAB060303M600T-LF	60±25%	0.25	200
HDAB060303M121T-LF	120±25%	0.40	200
HDAB060303M241T-LF	240±25%	0.80	200
HDAB060303M471T-LF	470±25%	1.05	100
HDAB060303M601T-LF	600±25%	1.20	100
HDAB060303M102T-LF	1000±25%	1.15	220

Part No.	Impedance (Ω) at 100MHz	DCR (Ω) Max.	Rated Current (mA) Max.
HDAB100505M300T-LF	30±25%	0.2	300
HDAB100505M600T-LF	60±25%	0.25	300
HDAB100505M121T-LF	120±25%	0.40	300
HDAB100505M221T-LF	220±25%	0.70	300
HDAB100505M301T-LF	300±25%	0.80	200
HDAB100505M471T-LF	470±25%	1.00	200
HDAB100505M601T-LF	600±25%	1.00	300
HDAB100505M102T-LF	1000±25%	1.00	200
HDAB100505M152T-LF	1500±25%	1.50	150
HDAB100505M182T-LF	1800±25%	1.50	150

Part No.	Impedance ( $\Omega$ ) at 100MHz	DCR ( $\Omega$ ) Max.	Rated Current (mA) Max.
HDAB160808M300T-LF	30 $\pm$ 25%	0.20	700
HDAB160808M600T-LF	60 $\pm$ 25%	0.20	700
HDAB160808M121T-LF	120 $\pm$ 25%	0.25	600
HDAB160808M151T-LF	150 $\pm$ 25%	0.25	600
HDAB160808M221T-LF	220 $\pm$ 25%	0.30	550
HDAB160808M301T-LF	300 $\pm$ 25%	0.35	700
HDAB160808M471T-LF	470 $\pm$ 25%	0.45	350
HDAB160808M601T-LF	600 $\pm$ 25%	0.50	350
HDAB160808M102T-LF	1000 $\pm$ 25%	0.70	200
HDAB160808M152T-LF	1500 $\pm$ 25%	1.00	200
HDAB160808M202T-LF	2000 $\pm$ 25%	1.20	150

Part No.	Impedance ( $\Omega$ ) at 100MHz	DCR ( $\Omega$ ) Max.	Rated Current (mA) Max.
HDAB201209M300T-LF	30 $\pm$ 25%	0.10	600
HDAB201209M400T-LF	40 $\pm$ 25%	0.10	600
HDAB201209M600T-LF	60 $\pm$ 25%	0.10	900
HDAB201209M121T-LF	120 $\pm$ 25%	0.20	800
HDAB201209M151T-LF	150 $\pm$ 25%	0.20	800
HDAB201209M221T-LF	220 $\pm$ 25%	0.30	750
HDAB201209M301T-LF	300 $\pm$ 25%	0.30	700
HDAB201209M471T-LF	470 $\pm$ 25%	0.35	700
HDAB201209M601T-LF	600 $\pm$ 25%	0.40	500
HDAB201209M102T-LF	1000 $\pm$ 25%	0.45	400

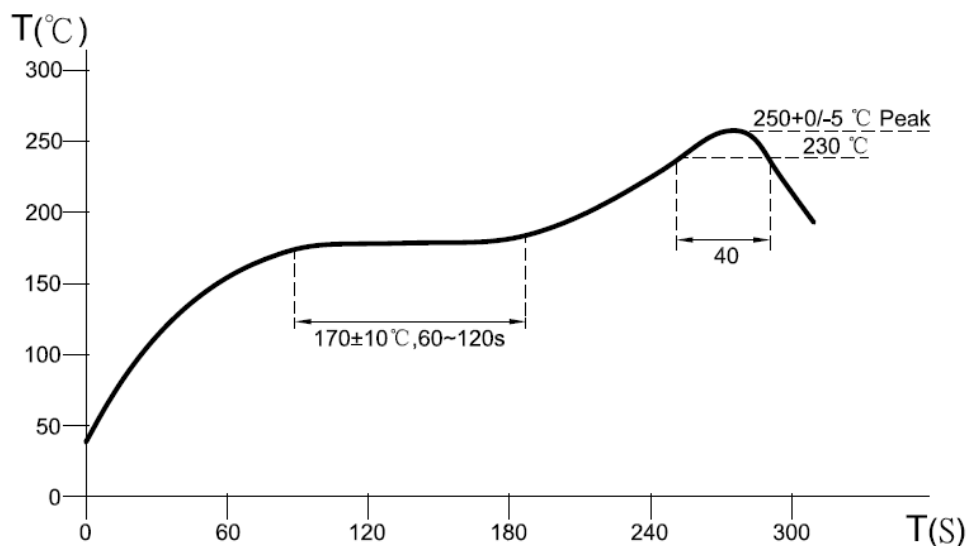
Part No.	Impedance ( $\Omega$ ) at 100MHz	DCR ( $\Omega$ ) Max.	Rated Current (mA) Max.
HDAB321609M300T-LF	30 $\pm$ 25%	0.06	1000
HDAB321609M600T-LF	60 $\pm$ 25%	0.10	1000
HDAB321609M800T-LF	80 $\pm$ 25%	0.10	1000
HDAB321609M121T-LF	120 $\pm$ 25%	0.10	1000
HDAB321609M301T-LF	300 $\pm$ 25%	0.20	600
HDAB321609M601T-LF	600 $\pm$ 25%	0.30	600
HDAB321609M102T-LF	1000 $\pm$ 25%	0.60	600
HDAB321609M152T-LF	1500 $\pm$ 25%	0.70	200
HDAB321609M202T-LF	2000 $\pm$ 25%	0.70	200

**Test Equipment:**

Impedance (Z) is tested by Agilent E4991A RF Impedance Analyzer with HP16197A DCR is measured by Chroma 16502 micro-ohm meter or equivalent

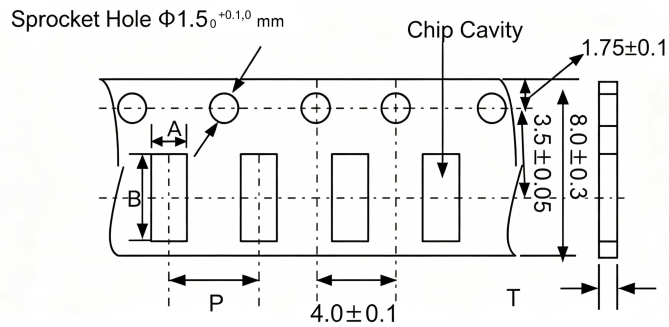
**Notice:**

Please read Cautions and Warnings and Notes for electrical characteristics test at the end of this document Electrical characteristics measured at 25°C

**Recommended Reflow Soldering Conditions (SMT-TYP):**


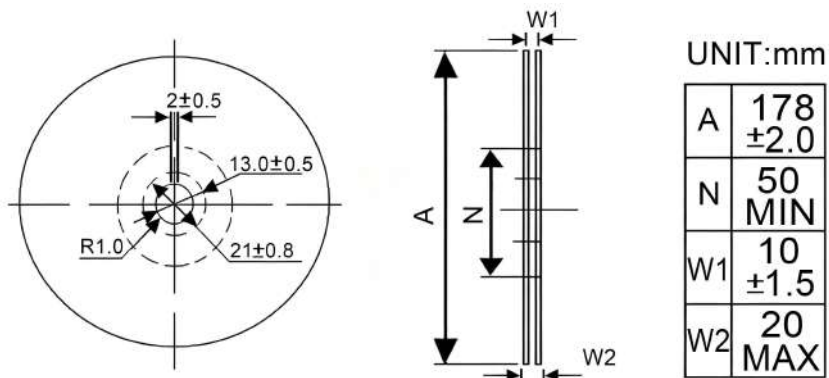
## Packaging:

### Tape Dimensions(Unit: mm)



TYPE	A	B	P	T <sub>max</sub>
060303	$0.4 \pm 0.1$	$0.7 \pm 0.1$	$2.0 \pm 0.05$	0.55
100505	$0.65 \pm 0.1$	$1.25 \pm 0.1$	$2.0 \pm 0.05$	0.8
160808	$1.0 \pm 0.2$	$1.8 \pm 0.2$	$4.0 \pm 0.1$	1.1
201209	$1.5 \pm 0.2$	$2.3 \pm 0.2$	$4.0 \pm 0.1$	1.1
321609	$1.9 \pm 0.2$	$3.5 \pm 0.2$	$4.0 \pm 0.1$	1.1

## REEL



TYPE	T(mm)	Tape	Quantity
060303	$0.3 \pm 0.05$	Paper Tape	10,000 pcs
100505	$0.5 \pm 0.15$	Paper Tape	10,000 pcs
160808	$0.8 \pm 0.15$	Paper Tape	4,000 pcs
201209	$0.85 \pm 0.2$	Paper Tape	4,000 pcs
321609	$0.85 \pm 0.2$	Paper Tape	4,000 pcs